



INSTRUCTIONS FOR USE
Pro-Ject Tube Box DS3 B

Dear music lover,

Thank you for purchasing a tube phono preamplifier from Pro-Ject Audio Systems.

In order to achieve maximum performance and reliability you should study these instructions for use carefully.



Warning of a hazard for the user, the unit or possible misuse



Important notice

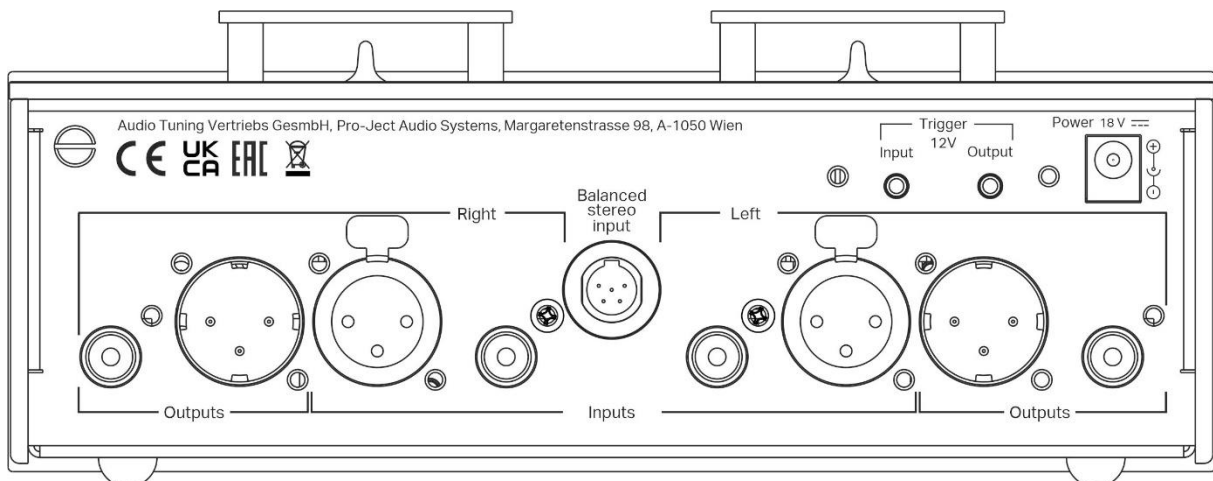
Safety instructions

AC outlet voltages vary from country to country. Before connecting to the mains, make sure that the voltage in your area meets the voltage requirements printed on the power supply.



The power supply is used to connect/disconnect the unit from the mains. Make sure that the power supply is easily accessible at all times. Never handle the device, the power supply while your hands are wet or damp. Avoid letting liquids enter the device or the power supply. Never place any item containing liquid, such as a flower vase on or near the device. Never spill any liquid on the device or the power supply. Never place any naked flame sources, such as lighted candles on or near the device. The product shall not be used in damp or wet locations, next to a bathtub, sink, swimming pool or any other similar conditions.

Connectors



Make all connections whilst the phono amplifier is disconnected from the power supply.

Take care to connect the left and right channels correctly. The right channel is usually marked red, the left channel black or white.



Do not connect the phono amplifiers output to a phono input (sometimes labelled **gram**, **disc** or **RIAA**) on the amplifier.

Never use any other power supply than the one supplied with the unit.

Connecting the record player

Connect the tonearm signal lead to the **Inputs** (5-pin mini XLR, XLR or RCA) of the phono amplifier. If you connected the lead to the RCA input, please also connect the grounding wire to the screw terminal of the Phono Box.

Connection to the amplifier

Connect the **Outputs** (Balanced XLR or RCA) of the phono amplifier to a line input (such as **AUX**, **CD**, **Tuner**, **Tape** or **Video**) on your amplifier.



RCA and XLR outputs are separated and both play all the time. 2 amplifiers can be connected.

Mains power connection and methods to switch the unit on and off

Connect the low voltage plug from the power supply to the **Power 18V** socket of the preamplifier **before** connecting the power supply to the mains.

1. Using front pushbutton to switch on or into standby

The pushbutton on the front panel of the unit alternately turns the power on or returns it to standby mode. The blue LED on the front panel shows that the unit is powered on. If a trigger signal is present, the unit can't be switched off by the pushbutton.

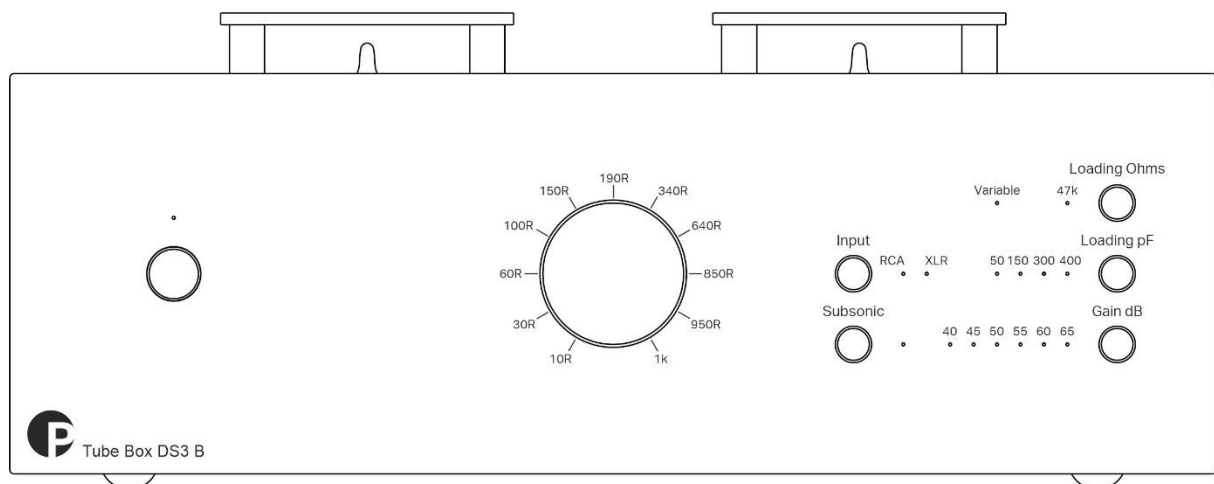
2. Remote power on - triggers

The unit can be switched on via other Box Design components when a 12V trigger voltage is present at the 2.5mm socket marked **Trigger Input**. Special power-on cables (polarity: $- \ominus +$) in diverse lengths are available as accessories. The remote power-on signal can be relayed to further units via the **Trigger Output** socket. When the 12V trigger signal is switched off, the unit will also switch off.



Trigger cables may only be plugged into the sockets when the unit is disconnected from the power supply and from the mains. Failure to do so may result in damage of the unit.

Controls



Input

Selects balanced (5-pin mini **XLR** or **XLR**) or unbalanced (**RCA**) input.



2 turntables can be connected to the preamplifier and this button acts as input selector, settings for each input are stored in memory.

Cartridge settings

The three push buttons on the right-hand side are used to set input impedance (**Loading Ohms**), input capacitance (**Loading pF**) and input gain (**Gain dB**).

To find out which type your cartridge is please consult the literature accompanying your cartridge. The literature for cartridges should also specify the correct input impedance and input capacitance, into which the cartridge is designed to work. If in doubt, please consult your dealer.

Gain dB

Gain for the outputs can be set from 40dB to 65dB in steps of 5dB. Any change will be automatically stored for the chosen input, when input is changed or the unit is switched into standby mode.

Input impedance, 47k - high-output MC and MM cartridges

The button **Loading Ohms** must be set to 47k.

Input impedance, variable – low-output MC cartridges

The button **Loading Ohms** must be set to **Variable** for using the rotary controller. Use the rotary controller to set input impedance to desired value.

Input capacitance*, variable – high-output MC and MM cartridges

The button **Loading pF** sets the capacitance.

* Input capacitance is irrelevant for low-output MC cartridges

Subsonic

Turn on and off subsonic filter. Any change will be automatically stored for the chosen input, when input is changed or the unit is switched into standby mode.

Examples:

Ortofon 2M Red (MM):

Input impedance 47kohms, Input capacitance 150pF, Input gain 40dB

Ortofon X5-MC (High-Output MC):

Input impedance 47kohms, Input capacitance 300pF, Input gain 40dB

Ortofon Quintet Red (Low-Output MC):

Input impedance 50 ohms (Set **Loading Ohms** to variable & set 50 ohms with the rotary encoder), Input capacitance - Any setting (not relevant for low-output MC), Input gain 60dB

Technical specifications Pro-Ject Tube Box DS3 B

Tubes:	2 x 6922 / E88CC
Input impedance:	variable 10-1000 ohms/ 47.000 ohms (47kΩ)
Input capacitance:	50pF, 150pF, 300pF, 400pF
Gain:	40, 45, 50, 55, 60 and 65 dB (switchable)
Output voltage typically:	500 mV/1kHz output at 5mV/1kHz input (at 40dB)
Signal / Noise ratio MM (40dB):	> 92dBV; 102dBV - 'A' weighted
Signal / Noise ratio MC (60dB):	> 78dBV; 87dBV - 'A' weighted
THD at 1 kHz:	< 0,003% MM; < 0,02% MC
THD (20Hz-20kHz):	< 0,005% MM; < 0,03% MC
RIAA-equalisation curve accuracy:	20 Hz – 20 kHz / ± 0,5dB
Subsonic filter:	at 20Hz with 18dB/octave
Input:	1x 5-pin mini XLR / 1x XLR / 1x RCA phono sockets
Line-level output:	1x RCA, 1x XLR
Wiring XLR sockets:	1 ground, 2 "hot" and 3 "cold"
Outboard power supply:	18 V/1000 mA DC
Power consumption:	18V/max. 750 mA DC, <0.5 W in standby
Dimension W x H x D:	206 x 70 x 194 (223 with sockets) mm
Trigger output/input:	12V (2,5mm jack)
Weight (without power supply):	1560g

Potential incorrect use and fault conditions

No signal on one or both channels:

No connection between player and phono amplifier or amplifier. This could be due to a faulty plug, broken wire or solder joint or simply loose plug/socket connection.

Strong hum:

No earth connection from cartridge or arm, or arm cable to phono amplifier, or earth loop.

Output too quiet or too loud, or distorted:

Input gain incorrectly set - input overloading or insufficiently amplified.

Service

Should you encounter a problem which you are not able to alleviate or identify, please contact your dealer for further advice. Only if the problem cannot be resolved there, the unit should be sent to the responsible distributor in your country.

Warranty



The manufacturer accepts no responsibility for damage caused by not adhering to these instructions for use. Modification or changes to any part of the product by unauthorized persons release the manufacturer from any liability over and above the lawful rights of the customer.

Copyright, trademarks

Pro-Ject Audio Systems is a registered Trademark of H. Lichtenegger.

This guide was produced by: Pro-Ject Audio Systems
Copyright © 2023. All rights reserved.

The information was correct at the time of going to press. The manufacturer reserves the right to make changes to the technical specification without prior notice as deemed necessary to uphold the ongoing process of technical development.

Waste from Electrical and Electronic Equipment (WEEE): This directive mandates the collection and recycling of electronics and component materials in order to reduce the amount going to landfills. Outside North America, when the user decides to discard this product, it must be sent to a separate collection facility for recycling. Please contact your point of purchase for more details.

EU-Conformity Declaration

We, **Canor spol. s r.o.**
Družstevná 39
08006 Prešov
Slovakia
(manufacturer)

declare under our whole responsibility that the products:

Tube Box DS3 B

which are regularly supplied to

Pro-Ject Audio Systems a division of Audio Tuning GmbH
Margaretenstrasse 98
1050 Vienna,
Austria

to which this declaration relates is in conformity with the following harmonized standards for:

LVD: STN EN 62368-1:2018
EMCD: EN 55032:2015
EMCD: EN 55035:2017

following the provisions of EC directives as follows:

LVD: 2014/35/EU
EMCD: 2014/30/EU

and the EC regulation 1275/2008 and its framework directive 2009/125/EC for energy related products (ErP) according to the test performed under the following technical standard

EN 50564:2011

Pro-Ject Audio Systems a division of Audio Tuning GmbH
1050 Vienna, Austria, Margaretenstrasse 98
info@project-audio.com