



# A2

## Fully automatic sub-chassis turntable

MSRP 1299 € (incl. VAT)

- **NEW** Sub-chassis principle
- **NEW** 8 layer hand painted MDF main chassis
- **NEW** Diecast aluminium automatic mechanics cover
- **NEW** 8,3" black-aluminium ultra-light-mass tonearm
- **NEW** 33/45/78 RPM electronic regulated DC motor
- **NEW** Massless tracking force adjustment
- **NEW** Ultra-low friction 4-point cardanic aluminium tonearm bearing
- **NEW** Damped counterweight to eliminate resonances
- **NEW** Pre-adjusted Ortofon 2M Red cartridge
- **NEW** Silicon damped aluminium feet
- Precise mechanics with automated start and stop
- Damped aluminium platter for decreased wow & flutter
- Carbon fibre reinforced anti-magnetic headshell
- Premium semi-symmetrical Connect it E phono cable
- Gold plated RCA cable connectors
- Dust cover included
- Handmade in Germany

Colour: ●

**Speed:** 33, 45, 78 RPM (electronic speed change)

**Drive principle:** belt drive, fully automatic

**Platter:** damped aluminium platter

**Wow & flutter:** 33: +/-0,14%; 45: +/-0,12%

**Speed drift:** 33: +/-0,27%; 45: +/-0,22%

**Signal to noise:** 74dB

**Tonearm:** ultra-light-mass 8,3" aluminium tonearm

**Effective arm length:** 211mm

**Overhang:** 19,5mm

**Included accessories:** 15V DC / 0,8A power supply, dust cover, 7" single adapter, feltmat, phono cable

**Power consumption:** 1,5W

**Dimensions:** 430 x 150 x 365 mm (WxHxD)

**Weight:** 7,3 kg net / 10 kg with packaging



# AUTOMAT A2

## AUTOMAT A2 Technology

The A2 continues the success of our fully mechanical automatic turntables. New on the automatics of the A2, you can now select the **drop off point** for **7" (singles)** or **12" (LPs)** for **45 RPM** records. We have also added **78 RPM** to the system allowing you to dig back into old **shellac collections**.

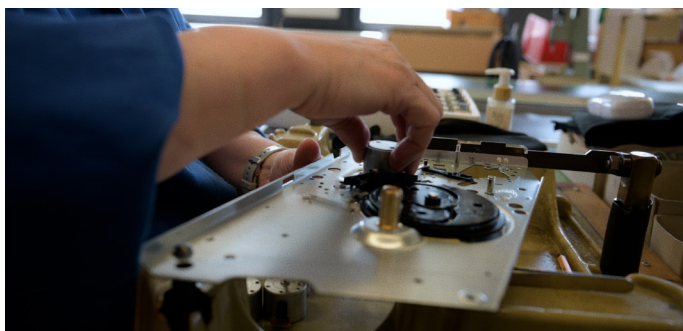
To enjoy listening to your A2, **just press start** and the tonearm is **automatically moved** to the lead in groove of the record. Once playing, the automatics are **completely taken out of the equation**. And because the automatics are working entirely mechanically – no additional electronics needed – they are **truly not influencing or degrading sound quality** during playback! At the end of the record, the tonearm is **automatically lead back** and **gently lowered** into its resting position and the **motor turned off**.

## Handmade in Germany

The A2 is **fully handmade in Germany** and looks back on **decades of experience** in turntable manufacturing. Even all the individual components of the A2 are **98-99% made and produced in Germany** – either within the factory or its immediate vicinity. The A2's **main chassis** for example is now **designed and made in Austria!**

## Pro-Ject Design Philosophy

Adding **Pro-Ject designs and ideas**, we have spent a lot of time on the A2's **clean design language**. You will see similarities to **iconic designs** of the German audio industry. Today, we believe that this **minimalistic approach** is very much **modern again**.



## Heavy MDF main chassis

The goal was to create an automatic turntable to satisfy **sound-concerned music lovers**. To achieve this, we have **heavily invested** into **new materials and tools**.

The new **heavy MDF** main chassis is **made and designed in Austria** and carefully **hand painted** in a **luxurious 8-layer matt black finish**. It provides a very sturdy base for the sub-chassis and **reduces hollow spaces to avoid resonances**. Such a **massive chassis** is very unusual in this price range and the base for **natural sound**.

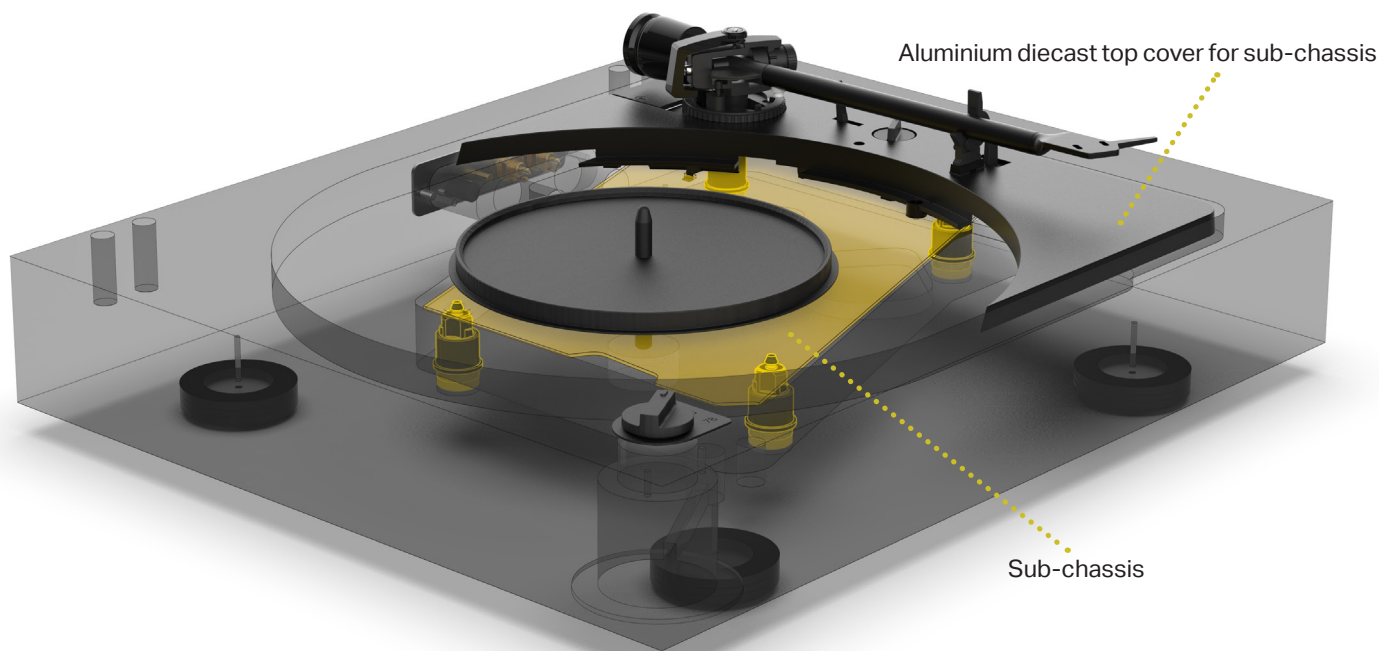
## Floating sub-chassis

The A2 employs a **sub-chassis** construction, where the tonearm, platter bearing and motor are mounted onto a **separate floating sub-chassis**. This **isolates** all the **most critical turntable elements** further and adds an extra layer of protection against outside noise, resonances and interference. This has especially **big advantages**, when your loudspeakers are very close to the turntable.



## Why sub-chassis?

Automatic turntables have **many small mechanical parts**, which means you need **more hollow space** in the chassis to fit them. Hollow spaces are the biggest problem as they always **reinforce resonances**. By using a **sub-chassis**, you **decouple the tonearm and drive from the chassis**. In other words, a sub-chassis is a **MUST** for automatic turntables and enables them to reach **excellent sound performance**.



## Improved automatic mechanism

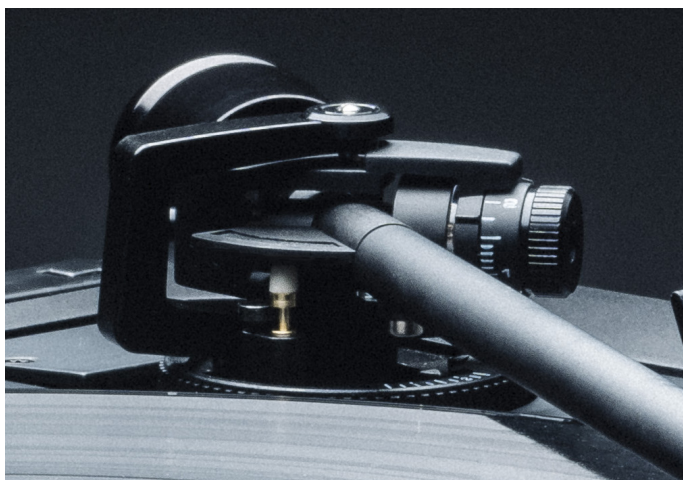
We have **invested in a new aluminium diecast top** for the whole sub-chassis and automatic mechanism. We have **tried to avoid plastic parts** from the original German automatic design as much as possible. This is the **first time in all the 50 years** of its existence that the **original automatic design** has **received an improvement** like this.

Due to the **new aluminium diecast cover** and the **massive chassis**, the whole **sub-chassis construction is more effective and isolates** unwanted resonance much better.



## Massless tracking force adjustment

The A2 uses a **new system** for setting the tracking force. As usual, you first level out the tonearm with the **damped counterweight**. Damping the counterweight makes the tonearm as a whole more robust and **decouples** the counterweight from the tonearm **reducing resonant frequencies**. Afterwards the tracking force is set by **turning a dial directly on the tonearm bearing**. Not only is this system very **fast, precise and efficient**, it also keeps the **center of gravity directly on top of the bearing center**. The **spring based anti-skating** can also be adjusted directly on the tonearm base.





### Improved tonearm & cardanic bearing

The A2 features an **8.3" ultra-light-mass aluminium tonearm** with an **improved tonearm tube** with bigger diameter. The is a perfect match for the slightly heavier **Ortofon 2M Red**. In combination we retain the **super fast response** and all **transient detail** with lots of fine **microdynamics**, while the new 2M Red adds a lot of body and musical warmth. The **tonearm bearing** has received a **major upgrade**, is now made out of **aluminium** and features a **4-pin-point cardanic construction with steel tip-ball bearings** from our own production. This allows for **unhindered and free** tonearm movement with the **lowest amount of friction** possible. The A2 will track your vinyl records with the utmost of precision and tightness.

### Why Ultra-Light-Mass tonearm?

Since forever, there has been this technical discussion about **light-weight tonearms with high compliance MM cartridges** vs. **heavy tonearms with low compliance MC cartridges**. Both approaches have advantages and disadvantages and you'll find detailed analysis in concerned literature.

However, when it comes to **automatic turntables**, we **NEED ultra-light-mass tonearms**. There is no way around it. We need the automatic mechanics to be like those in mechanical watches: small and precise. A **heavy tonearm** would result in a **rougher mechanical design** as much higher masses have to be moved. Therefore, the **A2 reaches performance highs** like **no other automatic turntable** on the market.





### Carbon fibre reinforced anti-magnetic headshell

The headshell is made of **carbon fibre reinforced polymer** which makes it super **stable and rigid**, all while keeping the weight at a lowest to work perfectly with the ultra-light-mass tonearm design. The polymer/carbon composite material results in **excellent internal damping** of resonances.

### Controlled 33/45/78 RPM speeds

In typical Pro-Ject fashion, the motor is **electronically controlled** for the most **accurate and stable** playback speeds. Easily switch between 33, 45 and 78 RPM with the push of a button.

### Aluminium feet with silicon damping

The new **aluminium feet** **effectively decouple** the turntable from the surface it is placed on using an internal silicon damping layer. This is an **essential feature** for every good turntable as it acts as yet another mechanism to ensure your vinyl playback is **not influenced by outside interference and resonances**.





### Damped aluminium platter

The aluminium platter is **100% made in Germany**. In three operations it is first stamped, bent and perforated. After that, it goes directly to our next local German supplier for phosphating and de-oiling. A **damping ring on the inside** is added to increase weight and reduce resonances.

In an extra step, it is then **lathed and precision balanced** to receive its fine edges and **lowest wow and flutter** deviations. Finally, it gets its **smooth paint job**, adding to the matt black stylish and clean looks of the A2.

### Semi-symmetrical phono cable with gold plated connectors

The A2 comes with our **Connect it E** phono cable. It is a **semi-balanced, low-capacitance cable, with superior shielding**. Compared to other digital and analog music sources, the signal coming from a turntable cartridge is very fragile in nature and cheap RCA cables often do not provide the ideal conditions for getting a phono signal to an amplifier.

The Connect it E is **purpose-designed** for this exact application and **unique in this price class**.

