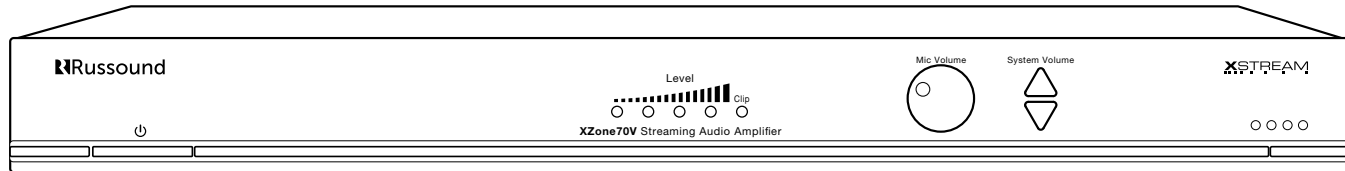


Russound®



XZone70V Streaming Mixer Amplifier Installation Manual

RUSSOUND CERTIFIED INSTALLER REQUIRED

NOTICE:

**IF YOU ARE NOT A RUSSOUND CERTIFIED INSTALLER,
YOU WILL NOT BE ABLE TO INSTALL AND CONFIGURE
THIS PRODUCT**

**INTERNET CONNECTION REQUIRED
FOR PRODUCT INSTALLATION**

There are two things that must be done at the time of installation of this product that require a working internet connection:

1. Enter valid Russound Certified Installer credentials. The XZone70V is shipped in a locked state. It cannot be operated without first being configured by a Russound Certified Installer.

If you are a custom installation professional and wish to become authorized as a Russound Certified Installer, please contact your Russound Sales Representative for more information.

Note: If you are a Russound Certified Installer and you plan on installing this product on a job site that may not have working internet access, please configure the unit at your shop or other location where internet access is available BEFORE you take it to the job site.

2. Firmware may be updated easily through Web Config configuration. An internet connection is required for obtaining the most recent firmware.

Note: If an internet connection will not be available at the place of installation, please download the latest firmware from the Russound website to a laptop before going to the job site.

Lockdown Feature

The screenshot shows the Web Config interface for the XZone70V. At the top, there is a navigation bar with 'Status', 'Admin', 'Setup', and 'Support' menus. A user profile icon and the device ID 'XZone70V-03FA' are also present. Below the navigation bar, a message states: 'This device must be configured by a Russound Certified Installer.' The main section is titled 'Installer Credentials' and contains two input fields: 'Username' and 'Password'. An 'Apply' button is located below the password field. The footer of the page reads 'Russound/FMP, Inc. ©2015'.

Installer Credential Entry

When the XZone70V is shipped from Russound, it will only operate in a "locked" state. In this state, no audio or control is available. In order to unlock the system, valid Russound Certified Installer credentials must be entered using the Web Config.

When the XZone70V is first powered on, a message will appear on any compatible user interfaces and the MyRussound App indicating that the device must be unlocked. The message will contain the IP address of the XZone70V. Using your mobile device or computer, browse to the XZone70V IP address (type http:// and then the IP address).

If you are using the MyRussound App, the IP address appears as a link that will direct you to Web Config via your local web browser.

If you do not have a valid Russound Certified Installer credential, please contact your Russound Sales Representative.

Product Overview

Thank you for choosing the Russound XZone70V Streaming Mixer Amplifier as your audio solution. The Russound XZone70V features built-in XStream technology, enabling popular streaming content from the cloud, local network, AirPlay™ enabled tablets and phones - all from a single component. The built-in audio streamer offers the best audio content from the internet or even a user's personal networked audio collection using DLNA. The rear panel includes an auxiliary input port and USB port for playing content from a Flash Drive or an externally powered USB hard drive.

Features:

- Full Support for High Res Audio
- Licensed Music Option for Commercial Music Performance
- Powerful High Quality 70v/100v/4Ω Amplifier
- Integrated Mic Input With Ducking And Support For Phantom Power
- Wall-Mounted Touchscreen or App Control
- Built-In High Pass Filter
- Auxiliary Input Option Included
- Removable Screw-down Connectors
- Flexible Mounting Options
- Trusted 2-year Warranty

Configuration Password

In order to prevent unauthorized changes to configuration settings, a default password of **rusound123** has been created that will be required to be entered prior to changing any configuration settings. Enter this password when prompted for a Configuration Password.

This password is separate from the Russound Certified Installer password that is used to unlock the controller and cannot be modified.

Product Overview 3

Web Configuration..... 4

Front and Back Panel..... 5

Ethernet Connection and Factory Reset..... 6

Installation Overview..... 6-8

Configuration..... 9

Network Settings..... 10

Configuration Streaming Service Accounts..... 11

Troubleshooting 11

Connection Diagrams..... 12

70/100V Wiring..... 13

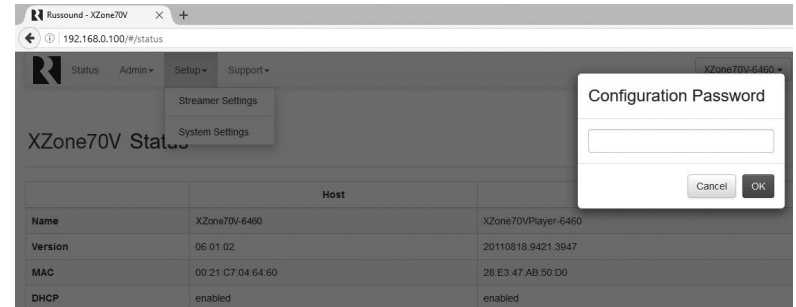
Troubleshooting 14

Network Best Practices..... 15

Technical Specifications..... 15

Limited Warranty 16

Safety Instructions 18-19



WEB CONFIGURATION

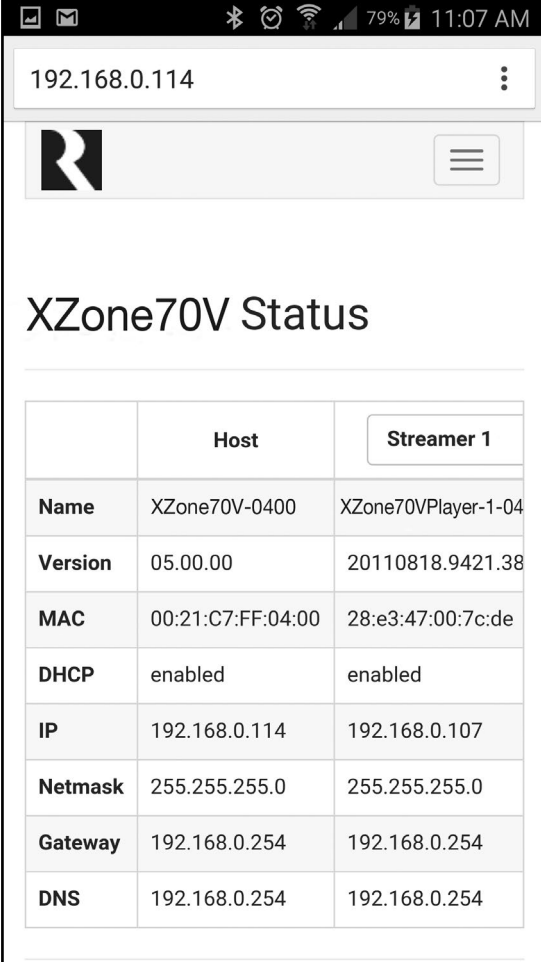
Key Programming Features

The XZone70V has a programming feature called Web Config. This programming feature allows the installer to connect to the XZone70V via its IP address or Host Name using any smartphone, tablet, or laptop and configure it.

Web Config is designed to be used with a web browser. With Web Config, the XZone70V can be completely configured, quickly and easily, with no other software tools required

Web Config Features

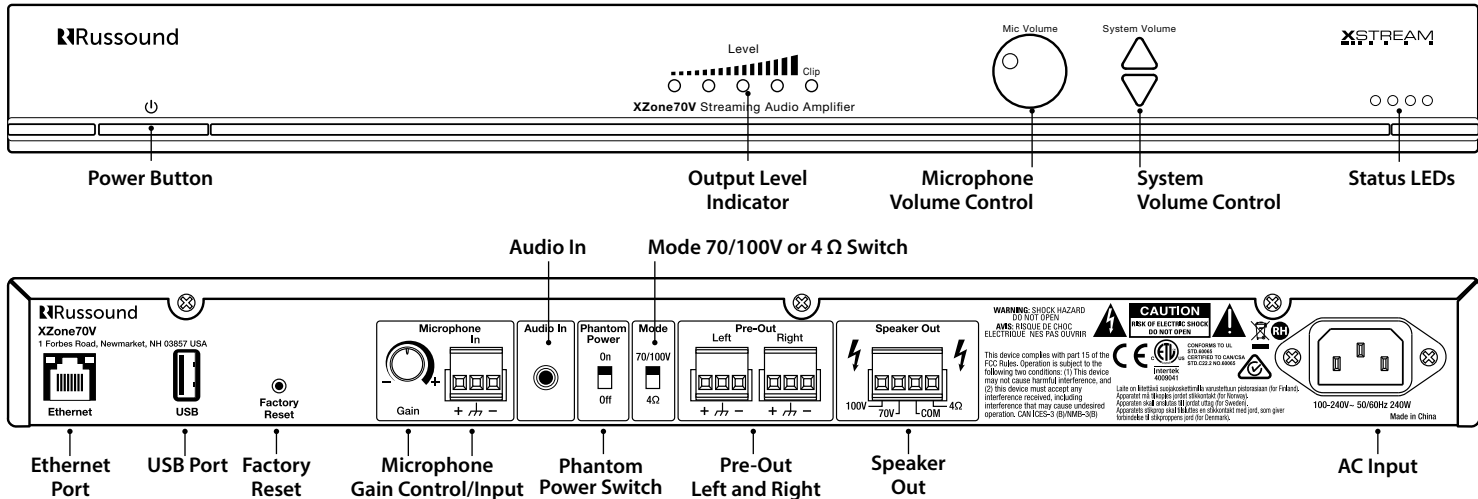
- General network configuration (DHCP/static IP)
- Firmware Updates
- Assign device name (zone name)
- Zone Volume Trim
- Set AirPlay password (if desired)
- Enable/disable or re-order streaming services
- Enable/disable front panel LED's (for use in installations where light pollution is a concern, such as bedrooms)



The screenshot shows a mobile browser interface for the XZone70V Web Config status page. At the top, the IP address 192.168.0.114 is displayed. Below it is a large 'R' logo. The main heading is 'XZone70V Status'. A table provides details for a 'Streamer 1'.

	Host	Streamer 1
Name	XZone70V-0400	XZone70VPlayer-1-04
Version	05.00.00	20110818.9421.38
MAC	00:21:C7:FF:04:00	28:e3:47:00:7c:de
DHCP	enabled	enabled
IP	192.168.0.114	192.168.0.107
Netmask	255.255.255.0	255.255.255.0
Gateway	192.168.0.254	192.168.0.254
DNS	192.168.0.254	192.168.0.254

Web Config status page.



Power Button - Turns the XZone70V on/off.

Output Level Indicator - LEDs will illuminate sequentially from left to right to indicate increasing output levels. Red indicates that the amplifier has begun clipping. Reduce the volume level when clipping is reached.

Microphone Volume Control - Adjust the microphone volume level here to increase the microphone volume in relation to the background audio.

System Volume - Use these volume buttons to increase/decrease the overall system volume level. These buttons are similar to pressing volume up/down on the XTS or the MyRussound app.

Status LEDs - Troubleshooting - See LED diagnostic chart on page 11

Ethernet Port - The Ethernet port is used for configuration as well as for enabling control via the MyRussound App or the XTS Touchscreen. The default network setting is DHCP-enabled, but the XZone70V can be configured with a static IP address using the Web Config interface.

USB Port - For audio from flash drives or externally powered USB hard drives

Factory Reset - The factory reset button has two functions. A 3-second press and hold will restore network settings to DHCP. A 10-second press and hold will reset the XZone70V to its factory default settings.

Note: A unit that has been reset to factory default will have no configuration and will

need to be unlocked and reconfigured by a Russound Certified Installer. Network connections will also default back to DHCP during a reset.

Microphone Gain Control/Input - Connect a microphone here. If using a condenser microphone, set the Phantom Power switch to "On". Refer to "Adjusting the Microphone Gain" section on page 12 for more information.

Phantom Power Switch - Set this switch to "On" when using a condenser microphone or when the microphone instructions specify using Phantom Power support.

Mode 70/100V or 4Ω Switch - Like any premium audio component, the XZone70V uses a high pass filter when operating at 70/100V. If using as a low impedance amplifier (minimum 4 ohm), set this switch to the 4Ω position. Otherwise, leave it at the 70/100V position.

Audio In - Connect any stereo audio source to this connection. This input is selectable from the XTS touchscreen or the MyRussound app and has AUX input.

Pre-Out Left and Right - Balanced pre-out connections for both left and right audio channels for connecting to additional amplifiers

Speaker Output - Refer to "Speaker Connections" on page 12.

AC input - Voltage is autoswitching for 100V to 240V operation 50-60 Hz. This receptacle accepts a 3-prong IEC C13 type connector. A detachable 3-terminal power cord is included.

Ethernet Connection

The Ethernet connection is used for configuration and audio streaming as well as for enabling control via the MyRussound App or the XTS Touchscreen. The default network setting is DHCP-enabled, but the XZone70V can be configured with static IP addressing using Web Config. The Ethernet connection is also used for the built-in streaming services and for playing any music stored on connected network drives using DLNA.

Note: While the XZone70V has a single physical Ethernet connection, it will occupy a total of 2 IP addresses on the network. One address is for XZone70V management, and the other is for the internal streaming module that the XZone70V utilizes to provide audio content. If using DHCP, both addresses will use DHCP. If using static IP addressing, both addresses will need to be configured with a static address.

Factory Reset

The factory reset button has two functions. A 3-second press and hold will restore network settings to DHCP. A 10-second press and hold will reset the XZone70V to its factory default settings. When performing either of these functions, do not power off the XZone70V. It will reboot automatically on its own at the proper time. The entire reset process will take several minutes. The XZone70V status LED will illuminate green when the process is complete.

The factory reset deletes all configuration and personal information including service account settings and passwords.

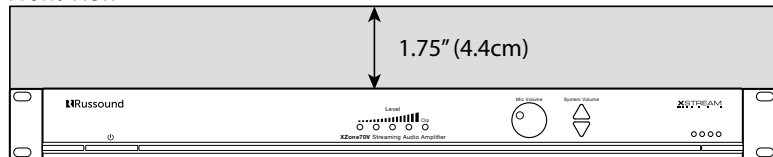
Note: After a factory reset, the XZone70V will require valid Russound Certified Installer credentials in order to be unlocked and configured again.

Installation

Clearance Requirements

When installing the XZone70V, the clearances shown here MUST be kept for proper ventilation of the unit.

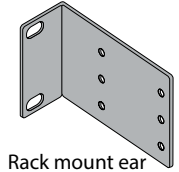
Front View



Installation

Step 1. Mounting the XZone70V

The XZone70V comes with a pair of rack mount ears, that allows XZone70V to be mounted in any of four ways:



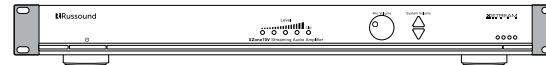
Rack mount ear

1. Table Top Mount



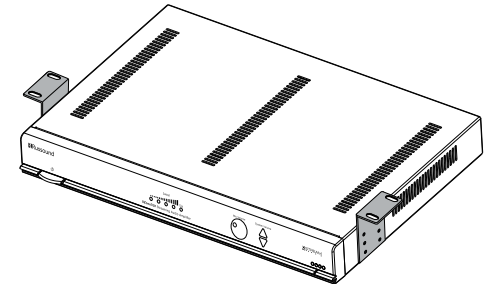
2. Rack Mount

Attach the included rack mount ears to both sides of the unit as shown.



3. Under Cabinet Mount

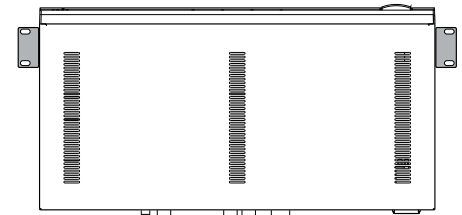
Attach the included rack mount ears to both sides of the unit, with mounting ears facing up as shown.



Top of the unit

4. Wall Mount

Attach the included rack mount ears to both sides of the unit, with mounting ears facing up as shown.



Important Considerations

1. Disconnect the power cord before making any wiring connections to the XZone70V.
2. Verify that all connections and polarity are correct.
3. Keep all power cords away from all signal cables to prevent humming caused by induced noise.
4. Label wires appropriately, on both ends of the wire run.
5. Avoid running speaker wires or signal cables close to house electrical wiring for any distance. If you have to run them parallel, make sure to space the wires at least two feet from the AC line. If you need to cross an AC line it should be at a 90° angle.

Step 2. Connect the speaker wires as described in Speaker Connections on page 12.

- a. Strip back 1/8" of the insulation on the speaker wire and twist the end of each wire to tighten the bundle of copper strands on each wire.
- b. Place the stripped end of the wire into the appropriate terminal and collapse the latch. Check to make sure there are no strands of copper showing and check the security of the wire in the connector. Between each terminal, take caution to not let the wire fray or touch another connection. Each terminal accepts up to 14 AWG wire.
- c. Connect to each speaker. Be careful to maintain polarity.
- d. Re-connect the screw-down speaker terminal.

Make sure to label the speaker wire with the zone name that it is connected to. This will allow easier system maintenance in the future.

Step 3. Connect an Ethernet cable from an open network port on the network to the Ethernet port on the rear of the XZone70V.

Step 4. Connect the power cord to the rear of the XZone70V and then plug the other end into an electrical outlet.

Step 5. Depress the power button on the front of the XZone70V to power on the unit.

The XZone70V will take 1-2 minutes to fully power up. The amber LED on the front panel will illuminate during the power-up process. When the green LED on the front panel is illuminated, you are ready to proceed.

Step 6. Unlock the XZone70V – Using a smartphone, tablet, or laptop, navigate to the XZone70V Web Config main page by typing in one of the following:

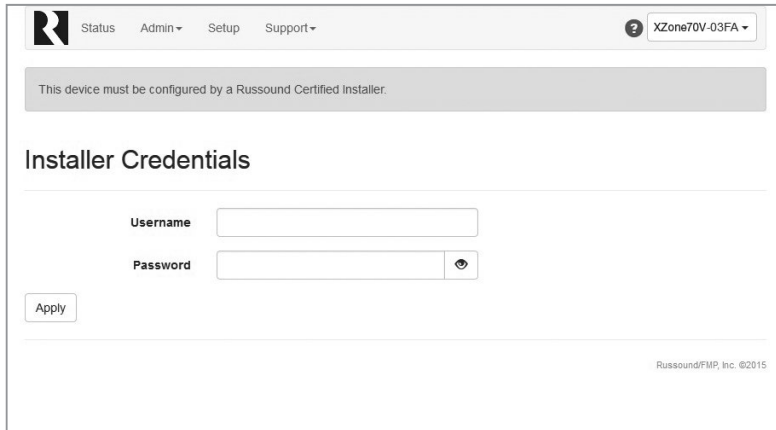
a. XZone70V IP address – Enter the IP address of the XZone70V into the web browser on your phone, tablet, or PC connected to the same network as the XZone70V. Example: if the IP address is 192.168.0.105, type <http://192.168.0.105> into the web browser. **Note:** If you don't know the IP address, you can use a network scanning app such as FING (free for iOS and Android) to discover the IP address of the XZone70V. The device name you will be searching for in the FING device list is "XZone70V-XXXX" where XXXX are the last four digits of the MAC ID of the XZone70V.

b. XZone70V Hostname – Enter the hostname of the XZone70V into the web browser on your phone, tablet, or PC connected to the same network as the XZone70V. For your convenience, the hostname is printed on a label on the rear of the XZone70V. The hostname is formatted as XZone70V-XXXX where XXXX is the last four digits of the XZone70V's MAC ID. Example: if the hostname is XZone70V-1234, type <http://XZone70V-1234> into the web browser.

INSTALLATION OVERVIEW

At the top of the web browser, a notification will appear stating that the product must be unlocked by a Russound Certified Installer. Click on the unlock button and you will be taken to a page where you will enter your credentials.

Enter your Russound Certified Installer Email Address and password into the fields shown and click "Apply". Once your information has been validated, the XZone70V will unlock and be ready for configuration and use. This unlock process will need to be repeated any time that the XZone70V is reset to factory settings using the rear panel reset button.



The screenshot shows the web interface for the XZone70V. At the top, there is a navigation bar with a Russound logo, links for Status, Admin, Setup, and Support, and a dropdown menu for the device model (XZone70V-03FA). Below the navigation bar, a grey banner displays the message: "This device must be configured by a Russound Certified Installer." The main content area is titled "Installer Credentials" and contains two input fields: "Username" and "Password". The Password field includes a toggle icon for visibility. An "Apply" button is located below the input fields. At the bottom right of the page, the text "Russound/FMP, Inc. ©2015" is visible.

Step 7. Firmware Update – Because new features and capabilities may be added at any time, make sure to verify that the XZone70V has the latest firmware available. From the Web Config page, go to Admin, Firmware Update. If the XZone70V has an internet connection, it will automatically verify if it is running the latest firmware from Russound. You may update the XZone70V by selecting Web Update for any XZone70V with an internet connection, or by choosing File Update to update the XZone70V from a firmware update file stored on a computer that is on the same network as the XZone70V.

Note: It can take 10-15 minutes for a firmware update to be completed. The front panel status LED will illuminate a steady green when the update is completed.

Automatic Firmware Updates

The XZone70V is configured by default with Automatic Firmware Updates Enabled. This means that it will check for an update to its firmware periodically with Russound's servers. This check will happen at the time configured in Web Config under System Settings. The default time setting is set for early AM/overnight hours in the Eastern Time Zone of the US. You may set this time for any convenient time in your time zone. We recommend around 3am, when it is not likely that the system is in use because a reboot will occur during an update.

You may disable the automatic update feature if you would like the ability to control the exact time when an update occurs. We recommend this only for advanced users because it will require the update to be activated either onsite, or via a 3rd party remote management service such as ihiji, BakPak, or OvrC.

Configuration of the XZone70V is done through Web Config. Navigate to the XZone70V Web Config page (see Step 6 above)

Web Config Setup Tab

Front Panel LEDs – The front panel LED lights can be disabled for any installation where viewing the operational lights would be distracting, or where complete darkness is desired at night. The default setting is enabled. To disable the front panel LED's, select "Disabled" for this option in Web Config.

Note: Only normal operation LEDs are disabled. Any error condition LED lights will always illuminate.

Device Name – Enter the desired zone name here. The name you enter will be visible to all users of the MyRussound App or other user interfaces when selecting the zone they would like to control.

Make sure to choose a unique name for each zone in the entire Russound system.. If there are two rooms named "Bar" for example, users will not know which zone they are selecting and controlling.

AirPlay Password (Optional) - If you want to use an AirPlay password to limit access for AirPlay users to stream audio to the XZone70V, enter an AirPlay password and click "Apply". This same password must be entered on any iOS device when attempting to use Apple AirPlay to stream audio. If you do not want to use a password to control access to AirPlay, leave the AirPlay Password field blank.

Services - By default, all available audio services are enabled and are selectable as options when streaming audio. If any of these services are not being used, or if you wish to block access to any services for this, you can do so by dragging and dropping the services between the "Enabled" and "Disabled" sections on this Web Config page.

Note: You can also re-order the services so that the services the end user wants to use first are at the top of the list. Simply drag and drop each service in the "Enabled" list to the appropriate order that you would like them to appear to the end user for each zone.

Volume Trim – The Volume Trim setting is used to allow an audio compensation adjustment. In most cases, this setting does not need to be modified, but if there are unusual audio characteristics such as for small rooms, rooms filled with very reflective surfaces like tiled floors and bare walls, or rooms filled with highly absorptive materials like thick carpet and heavy curtains, you can use the Volume Trim settings to tweak the sound levels. The default setting for the Volume Trim level in each zone is -3 dB.

Congratulations! Your XZone70V is now fully configured.

NETWORKING SETTINGS (OPTIONAL)

The XZone70V can be configured to use either a dynamic DHCP network address (Default) or to use a pre-assigned static IP address. Note that the XZone70V occupies two IP addresses on a network. One IP address is used for communication and control information (HOST) and one is used for the streaming services (STREAMER).

Both IP addresses are set using the Admin > Networking selection from the Web Config menu. Both can be set as dynamic (Default) or both can be set as static IP addresses. Use caution when setting static IP addresses as incorrect settings can cause network instability and cause networking products such as the XZone70V or any other device on the network to stop working properly.

If static settings have been entered and you are experiencing difficulty communicating with the XZone70V, you can restore dynamic DHCP settings by pressing the Reset button on the rear of the XZone70V and holding the button pressed for 3 seconds.

When entering static IP information, two IP addresses must be assigned, one for the Host and one for the Streamer. If DHCP is enabled on the network, use caution to make sure that any static IP addresses assigned are not within the range of possible DHCP addresses and that the addresses are not used for any other networking device.

If necessary, change the Subnet Mask, Default Gateway, and DNS information to the appropriate settings for your particular network.

Note: When changing the network address of the XZone70V, your browser will lose its connection to the XZone70V and you will need to navigate to the XZone70V's new network address.

Power

As an advanced networking device, the XZone70V is designed to be left on at all times. This allows instant access to your favorite streaming audio sources at any time and is especially useful due to the fact that most installations involve locating the XZone70V in remote locations where it would be difficult to know if it is powered on or off or to know its current status.

For extended periods of non-use, we recommend disconnecting the power source to the XZone70V unit until it is needed again.

Note: Configuring accounts must be done before accessing any streaming source which requires an account such as SiriusXM, Pandora, or Spotify. If using more than one XStream Series device, different accounts may be entered for each zone if desired.

Spotify® – Spotify account credentials are entered in the Spotify app on your phone, tablet, or PC. No additional information needs to be entered on the XZone70V. Note that the name that you configured under “Device Name” will be the same name that appears in the Spotify Connect menu as an available selection. This same name is also the name used when connecting via Apple AirPlay.

Pandora®– Pandora account credentials are entered by using the MyRusound App or a connected Rusound XTS in-wall touchscreen. Choose “Pandora” from the menu. If no account information has been entered, a login screen will be displayed.

SiriusXM® – SiriusXM account credentials are entered by using the MyRusound App or a connected Rusound XTS in-wall touchscreen. Select SiriusXM as the active audio source. If no account information has been entered, a login screen will be displayed.

vTuner® – No account information is needed to access vTuner internet radio. If you wish to associate an XZone70V with a vTuner account so that you can share vTuner favorites across multiple devices, you can select “Get Access Code” from the vTuner menu and enter that code at <http://rusound.vtuner.com> to associate the Streamer with your vTuner account.

Tuneln® – No account information is needed to access Tunein internet radio. If you wish to associate a zone’s Streamer with a Tuneln account so that you can share Tuneln favorites across multiple devices, you can select “Account Association” from the zone’s Tuneln menu and enter that code in your account settings page at <http://www.tunein.com> to associate the Streamer with your Tuneln account.

DHCP Reset

A DHCP Reset can be performed using the factory reset button on the rear panel of the XZone70V.

If your XZone70V cannot communicate on the network, you can reset its DHCP connection by pressing and holding the Reset button on the rear of the XZone70V for 3 seconds and then releasing it. This will restore the XZone70V to a DHCP connection from a static IP connection.

Factory Reset

For a full factory reset, erasing all configuration settings, and re-locking the XZone70V:

Press and hold the Reset button on the rear of the XZone70V for 10 seconds. The Red Status LED will light and the XZone70V will reboot on its own.

Note: Performing a factory reset will restore the unit to its factory default settings and the unit will require valid Rusound Certified Installer credentials in order to be unlocked and configured again. The factory reset will also delete all personal information including service account settings and passwords.

There are four LED’s on the front panel of the XZone70V to assist with any troubleshooting. This chart explains the operation of the LED’s:

System Status	Yellow LED	Green LED	Red LED	Blue LED
Booting	ON	-	-	-
Ready	-	ON	-	-
Factory Reset	-	-	ON	-
Zone On	-	-	-	ON
Firmware Update	-	Blinking	-	-
Network Error	Blinking	-	-	-

CONFIGURATION

Connections

Microphone - A microphone with an on/off switch is recommended for use with the XZone70V. Connect the microphone using the Phoenix connector on the rear panel.

Automatic Ducking - The XZone70V will automatically reduce the volume of any source when it detects an audio signal on the microphone input.

Adjusting the Microphone Gain - There are two different controls for adjusting the microphone volume level on the XZone70V. In order to set the appropriate level, we recommend following these steps:

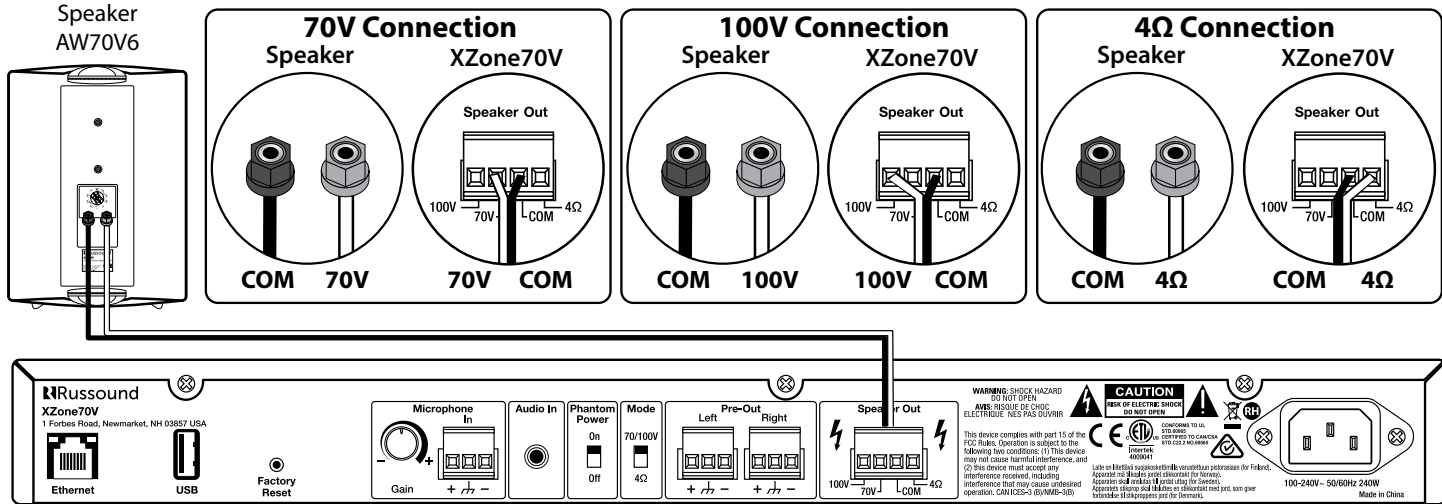
1. Pause or Mute the currently playing audio source
2. Set the front panel Mic Volume control to maximum (clockwise rotation)
3. Set the rear panel Microphone Gain control to minimum (counter-clockwise rotation)

4. While speaking into the microphone, slowly adjust the rear panel Microphone Gain control until the volume level is at the maximum level you want to achieve.

Note: The XZone70V must be turned on for the microphone to work. The input works for any operational state of the XZone70V: playing music, paused, or muted.

Speaker Connections

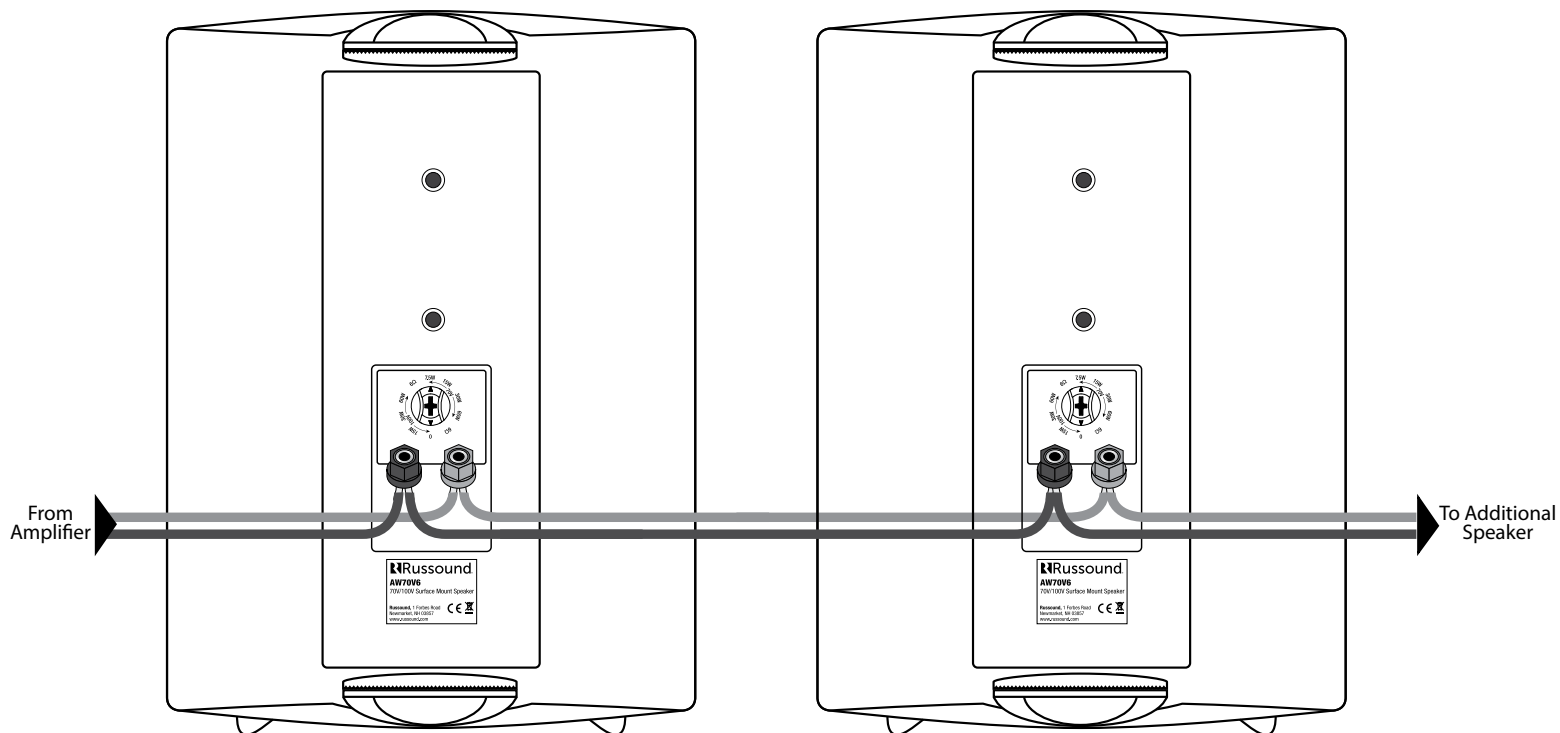
The XZone70V has three separate output options: 70-volt, 100-volt, and a low impedance setting of 4Ω (Minimum). When connecting speakers, use the appropriate connections for each application, see diagram below.



XZone70V

Wiring a 70/100V high impedance amplifier like the XZone70V is much simpler than a traditional low impedance residential amplifier. All connections are made in parallel and a thinner gauge wire may be used for a high impedance system than a low impedance system. Typical wiring would use a 16 or 18 gauge wire in a single run from the amplifier to all possible speaker locations (now or to be added in the future). A small loop can be left at each potential speaker location.

Adding a speaker at each wire loop is easy (either now, or in the future, allowing for easy system updates at any time). See diagram below.



TROUBLESHOOTING

General Troubleshooting

Check for firmware updates available to make sure that your Russound product is always up to date and to take advantage of any additional features or supporting services that may be available.

Many issues can be resolved by power cycling the XZone70V by disconnecting the power supply, waiting 15 seconds and re-connecting the power supply.

For networking issues, resetting network gear in the home such as the router or any switches between the XZone70V and the router may also resolve any issues.

If you have the XZone70V configured with a static IP address and do not remember the settings, you can reset the XZone70V to DHCP by pressing and holding the rear panel Reset button for 3 seconds. If there are any issues reconnecting to the XZone70V after resetting to DHCP, unplug the XZone70V from the network and re-connect it, or try power cycling the network router to force a new DHCP connection.

For audio connection issues, verify all audio connections from the XZone70V to the speakers or any amplifier/receiver.

For more system installation and network troubleshooting tips, visit www.russound.com

Networking Best Practices

Some of the most common problems can be caused by improper network configuration and out-of-date firmware. Improper network configuration can prevent XStream Series devices from connecting and communicating on the network.

The first step for troubleshooting is to check networking connections and power cycle the equipment to check for proper communication.

A dedicated wireless 802.11n or better router is recommended. The reason for this is that ISP supplied modem/router combination devices may have incompatible settings that can cause issues with XStream Series devices connecting or communicating across the network. It is recommended to not use these modem/router combination devices, because the end user may not have access to all services of the device. The ISP may have sole control over the device settings and send updates to reset, reinitialize, or replace the device at their discretion.

Check for **firmware updates** available for your Russound equipment to make sure they are up-to-date in order to take advantage of any additional features and supported services.

Use a network discovery and IP scanning application that can assist to better understand the network, such as FING. <http://overlooksoft.com/FING> is free and available for iOS and Android and can assist in identifying devices on the network and if there are any IP addressing conflicts.

Router Configuration:

A few routers may need additional configuration to prevent incompatibility or intermittent connection issues. Access the router and check user accessible settings that enable support for **Multicast** or **IGMP** and enable them or check for options that may be actively filtering these protocols and disable those filters. Check for other options that could have an effect on communication: Options such as **UPnP** should be **enabled** Options such as **IGMP Proxy**, **IGMP Snooping**, **Multicast Filtering** or **WMM Proxy** should be **disabled**.

Glossary

Multicast: The delivery of a message or information to a group of destination computers simultaneously in a single transmission from the source.

Unicast: The delivery of a message or information which is sent from one point to another point An example would be connecting to an IP address of a URL such as www.google.com.

IGMP: Internet Group Management Protocol is an integral part of IP Multicast and is used for one-to-many networking applications such as online streaming audio and video, gaming, and allows more efficient use of resources when supporting these types of applications.

WMM: Wireless Media Management is designed to support consumer and corporate applications and works with 802.11a, 802.11b and 802.11g. The specification provides basic prioritization of data packets based on four categories - voice, video, best effort and background.

UPnP: Universal Plug and Play uses Multicast and allows media servers and streaming devices to communicate.

Output Power: 300W Max

Output Modes: 70v/100v/4Ω

Analog Audio Input: 3.5mm stereo (rear panel)

Hi-Res Audio Support: 24-bit/192kHz

Number of Audio Channels: 1

Pre-Amp Output: Stereo Balanced

Mic Input: 1

Frequency Response: 20Hz to 20kHz +1/-1dB at 4 Ohms

Communication ports: Ethernet and USB (for music files)

Music File Formats: MP3 (CBR, VBR), WAV (8, 16-bit), OGG Vorbis, FLAC (8, 16-bit). AAC, AAC+ (supports up to 24-bit/192 kHz)

Total Harmonic Distortion: 1% THD+N at 300W into 4 ohms
0.2% THD+N at 250W into 4 ohms

Power Requirements: Input: 100-240V~50/60Hz 240W

Dimensions: 17" W x 9"D x 1.7"H (43 x 22.8 x 4.3cm)

Weight: 10.95 lbs (5 kg)



LIMITED WARRANTY

The Russound XZone70V is guaranteed against all defects in materials and workmanship for two (2) years from the date of purchase. During this period, Russound will replace any defective parts and correct any defect in workmanship without charge for either parts or labor.

For this warranty to apply, the unit must be installed and used according to its written instructions. If service is necessary, it must be performed by Russound. The unit must be returned to Russound at the owner's expense and with prior written permission. Accidental damage and shipping damage are not considered defects, nor is damage resulting from abuse or from servicing by an agency or person not specifically authorized in writing by Russound.

This Warranty does not cover:

- Damage caused by abuse, accident, misuse, negligence, or improper installation or operation
- Power surges and lightning strikes
- Normal wear and maintenance
- Products that have been altered or modified
- Any product whose identifying number, decal, serial number, etc. has been altered, defaced or removed.

Russound sells products only through authorized Dealers and Distributors to ensure that customers obtain proper support and service. Any Russound product purchased from an unauthorized dealer or other source, including retailers, mail order sellers and online sellers will not be honored or serviced under existing Russound warranty policy. Any sale of products by an unauthorized source or other manner not authorized by Russound shall void the warranty on the applicable product.

Damage to or destruction of components due to application of excessive power voids the warranty on those parts. In these cases, repairs will be made on the basis of the retail value of the parts and labor. To return for repairs, the unit must be shipped to Russound at the owner's expense, along with a note explaining the nature of service required. Be sure to pack the unit in a corrugated container with at least three (3) inches of resilient material to protect the unit from damage in transit.

Before returning a unit for repair, call Russound at (603) 659-5170 for a Return Authorization number. Write this number on the shipping label and ship to:

Russound

ATTN: Service

1 Forbes Road

Newmarket, NH 03857

Due to continual efforts to improve product quality as new technology and techniques become available, Russound/FMP, Inc. reserves the right to revise system specifications without notice.

SAFETY INSTRUCTIONS



ATTENTION:

RISQUE DE CHOC ÉLECTRIQUE NE PAS OUVRIR.



WARNING: TO REDUCE THE RISK OF FIRE OR ELECTRIC SHOCK, DO NOT EXPOSE THIS APPLIANCE TO RAIN OR MOISTURE.

ATTENTION: AFIN DE RÉDUIRE LES RISQUES D'INCENDIE OU DE CHOC ÉLECTRIQUE, NE PAS EXPOSER CET APPAREIL À LA PLUIE OU.



CAUTION: TO REDUCE THE RISK OF ELECTRIC SHOCK, DO NOT REMOVE THE COVER. NO USER-SERVICEABLE PARTS INSIDE. REFER SERVICING TO QUALIFIED SERVICE PERSONNEL.

ATTENTION: AFIN DE RÉDUIRE LE RISQUE DE CHOC ÉLECTRIQUE, NE PAS RETIRER LE CAPOT. AUCUNE PIÈCE À L'INTÉRIEUR. CONFIER L'ENTRETIEN DE PERSONNEL QUALIFIÉ.



WARNING: The terminals marked with this symbol are hazardous live. External wiring connected to these terminals requires installation by an instructed person or the use of ready-made leads or cords.



The lightning flash with arrowhead symbol, within an equilateral triangle, is intended to alert the user to the presence of uninsulated dangerous voltage within the product's enclosure that may be of sufficient magnitude to constitute a risk of electric shock to persons.



The exclamation point within an equilateral triangle is intended to alert the user to the presence of important operating and maintenance (servicing) instructions in the literature accompanying the appliance.

Safety Instructions

1. Read Instructions - All the safety and operating instructions should be read before the appliance is operated.

Lisez les instructions - Toutes les instructions de sécurité et doivent être lues avant d'utiliser l'appareil.

- 2. Retain Instructions** - The safety and operating instructions should be retained for future reference. Conservez les instructions - Les instructions de sécurité et devrait être conservé pour référence future.
- 3. Heed Warnings** - All warnings on the appliance in the operating instructions should be adhered to. Tenez compte des avertissements - Tous les avertissements figurant sur l'appareil dans les instructions de fonctionnement doivent être respectées.
- 4. Follow Instructions** - All operating and user instructions should be followed. Suivez les instructions - Toutes les instructions de fonctionnement et d'utilisation doivent être suivies.
- 5. Water and Moisture** - The appliance should not be used near water; for example, near a bathtub, washbowl, kitchen sink, laundry tub, in a wet basement, or near a swimming pool. The apparatus shall not be exposed to dripping or splashing liquids and no objects filled with liquids, such as vases, shall be placed on the apparatus. Do not touch the appliance with wet hands. Do not handle the appliance or power cord with wet or damp hands. If water or any other liquid enters the appliance cabinet, take it to qualified service personnel for inspection. Eau et humidité - L'appareil ne doit pas être utilisé près de l'eau, par exemple près d'une baignoire, d'un lavabo, d'un évier, machine à laver, dans un sous-sol humide ou près d'une piscine. L'appareil ne doit pas être exposé à des éclaboussures de liquides et aucun objet rempli de liquide, comme des vases, ne doit être posé sur l'appareil. Ne pas toucher l'appareil avec les mains mouillées. Ne manipulez pas l'appareil ou le cordon d'alimentation avec les mains mouillées ou humides. Si de l'eau ou tout autre liquide pénètre dans le coffret de l'appareil, il amène à un personnel qualifié pour l'inspection.
- 6. Cleaning** - The appliance should be cleaned only as recommended by the manufacturer. From time to time you should wipe off the front and side panels and the cabinet with a soft cloth. Do not use rough material, thinners, alcohol or other chemical solvents or cloths since this may damage the finish or remove the panel lettering. Nettoyage - L'appareil doit être nettoyé uniquement tel

que recommandé par le fabricant. De temps en temps vous devriez essuyer les panneaux latéraux avant et arrière et le boîtier avec un chiffon doux. Ne pas utiliser de matériel rugueux, de diluant, d'alcool ou d'autres solvants chimiques ou de chiffons car cela pourrait endommager la finition ou faire disparaître la sérigraphie du boîtier.

- 7. Ventilation** - The appliance should be situated so that its location or position does not interfere with its proper ventilation. For example, the appliance should not be situated on a bed, sofa, rug, or similar surface that may block the ventilation openings, or placed in a built-in installation, such as a bookcase or cabinet that may impede the flow of air through the ventilation openings. Place the unit in a well-ventilated location, leaving at least 2 inches (5 cm) of clearance on all sides, top and rear of unit for air flow. If ventilation is blocked, the unit may overheat and malfunction. Ventilation - L'appareil doit être placé de telle sorte que son emplacement ou sa position ne gêne pas sa propre ventilation. Par exemple, l'appareil ne doit pas être placé sur un lit, un canapé, un tapis ou une surface similaire qui pourrait obstruer les ouvertures de ventilation, ou placés dans un haut-installation, comme une bibliothèque ou un meuble qui pourrait empêcher le flux d'air à travers les ouvertures de ventilation. Placer l'appareil dans un endroit bien aéré, laissant au moins 2 pouces (5 cm) de dégagement de tous les côtés, en haut et à l'arrière de l'unité de circulation de l'air. Si la ventilation est bloqué, l'appareil peut surchauffer et mal fonctionner.
- 8. Heat** - The appliance should be situated away from heat sources such as radiators, heat registers, stoves, or other appliances (including amplifiers) that produce heat. Chaleur - L'appareil doit être placé loin des sources de chaleur telles que des radiateurs, registres de chaleur, poêles ou autres appareils (incluant les amplificateurs) qui produisent de la chaleur.
- 9. Grounding or Polarization** - Precaution should be taken so that the grounding or polarization means of an appliance is not defeated. La terre ou polarisation - précautions doivent être prises pour que les moyens d'un appareil à la terre ou polarisation ne soit pas annulée.
- 10. Power Cord Protection** - Power supply cords should be routed so that they are not likely to be walked on or pinched by items placed upon or against them, paying particular attention to cords at plugs, receptacles, and the

point where they exit from the appliance.

Protection du cordon d'alimentation - Les cordons d'alimentation doivent être acheminés de sorte qu'ils ne sont pas susceptibles d'être piétinés ou coincés par des objets placés sur ou contre eux, en accordant une attention particulière aux cordons au niveau des fiches, des prises et à l'endroit où ils sortent de l'appareil.

- 11. Power Sources** - The appliance should be connected to a power supply only of the type described in the operating instructions or as marked on the appliance.
Sources d'énergie - Cet appareil doit être connecté à une source d'alimentation du type décrit dans le mode manuel ou tel qu'indiqué sur l'appareil.
- 12. Main Power Disconnect** - The power switch is a single-pole switch. When the switch is in the "Off" position, the appliance is not completely disconnected from the main power. The main power plug is used as the disconnect device and shall remain readily operable. When installing the product, ensure that the plug is easily accessible.
Débranchez l'alimentation principale - L'interrupteur est un interrupteur unipolaire. Lorsque l'interrupteur est en position "Off", l'appareil n'est pas complètement déconnecté de l'alimentation principale. La fiche d'alimentation est utilisée comme dispositif de déconnexion et doit rester facilement accessible. Lors de l'installation du produit, assurez-vous que la prise soit facilement accessible.
- 12. Non-Use Periods** - The power cord of the appliance should be unplugged from the outlet when left unused for a long period of time.
Périodes de non-utilisation - Le cordon d'alimentation de l'appareil doit être débranché de la prise en cas de non utilisé pendant une longue période de temps.
- 14. Attachments** - Only use attachments/accessories specified by the manufacturer.
Accessoires - N'utilisez que des fixations / accessoires spécifiés par le fabricant.
- 15. Carts and Stands** - The appliance should be used only with a cart or stand that is recommended by the manufacturer. An appliance and cart combination should be moved with care. Quick stops, excessive force and uneven surfaces may cause the appliance and cart combination to overturn.
Chariots et supports - L'appareil doit être utilisé uniquement avec un chariot ou un support recommandé par le fabricant. Une combinaison de l'appareil et chariot doit être déplacé avec précaution. Des arrêts brusques, une force excessive et des surfaces inégales peuvent provoquer la chute de l'appareil et du chariot.
- 16. Wall or Ceiling Mounting** - The appliance should be mounted to a wall or ceiling only as recommended by the manufacturer.
Mur ou au plafond - L'appareil doit être fixé au mur ou au plafond, tel que recommandé par le fabricant.
- 17. Location of the Amplifier** - Do not mount this unit under a kitchen cabinet. Do not expose the amplifier to direct sun light or heating units as the amplifier internal components' temperature may rise and shorten the life of the components. Avoid damp and dusty places.
Localisation de l'amplificateur - Ne montez pas cet appareil dans une armoire de cuisine. N'exposez pas l'amplificateur à la lumière directe du soleil ou appareils de chauffage comme la température des composants internes de l'amplificateur de risque d'augmenter



et raccourcir la durée de vie des composants. Evitez les endroits humides et poussiéreux.

- 18. Object and Liquid Entry** - Care should be taken so that objects do not fall and liquids are not spilled into the enclosure through the openings.
Objets et de liquides - Des précautions doivent être prises afin que des objets ne tombent ou que des liquides coulent dans le boîtier à travers les ouvertures.
- 19. Servicing** - The user should not attempt to service the appliance beyond that described in the operating instructions. All other servicing should be referred to qualified service personnel.
Entretien - L'utilisateur ne doit pas tenter de réparer l'appareil au-delà de celle qui est décrite dans le manuel d'instructions. Toutes les réparations doivent être effectuées par un technicien qualifié.
- 20. Damage Requiring Service** - The appliance should be serviced by qualified service personnel when: A. The power supply cord or the plug has been damaged; B. Objects have fallen, liquid has been spilled into the appliance; C. The appliance has been exposed to rain; or D. The appliance does not appear to operate normally; or E. The appliance has been dropped or the enclosure is damaged.
Dommages nécessitant des réparations - L'appareil doit être réparé par un personnel qualifié lorsque: A. Le cordon d'alimentation ou la prise a été endommagé; B. Des objets sont tombés, du liquide a été renversé dans l'appareil C. Si l'appareil a été exposé à pluie; ou D. l'appareil ne semble pas fonctionner normalement, ou E. L'appareil est tombé ou son boîtier est endommagé.



Note: This equipment has been tested and found to comply with the limits for a Class B digital device, pursuant to part 15 of the FCC rules. These limits are designed to provide reasonable protection against harmful interference in a residential installation. This equipment generates, uses and can radiate radio frequency energy and, if not installed and used in accordance with the instructions, may cause harmful interference to radio communications. However, there is no guarantee that interference will not occur in a particular installation. If this equipment does cause harmful interference to radio or television reception, which can be determined by turning the equipment off and on, the user is encouraged to try to correct the interference by one of or more of the following measures: reorient or relocate the receiving antenna; increase the separation between the equipment and receiver; connect the equipment into an outlet on a circuit different from that to which the receiver is connected, or consult the dealer or an experienced radio/TV technician for help.

This Class B digital apparatus complies with Canadian ICES-003.
Cet appareil numérique de la classe B est conforme à la norme NMB-003 du Canada.

Laitte on liitettävä suojakoskettimilla varustettuun pistorasiaan (for Finland). Apparatet må tilkoples jordat stikkontakt (for Norway). Apparatet skall anslutas till jordat uttag (for Sweden).

Apparatets stikprop skal tilsluttes en stikkontakt med jord, som giver forbindelse til stikproppens jord (for Denmark).

Changes or modifications not expressly approved by the party responsible for compliance could void the user's authority to operate the equipment.



XZone70V

Streaming Mixer Amplifier

Installation Manual

Russound, Inc.
1 Forbes Road, Newmarket, NH 03857
tel 603.659.5170 • fax 603.659.5388
email: tech@russound.com www.russound.com

28-1404 11.09.16, Rev.2

AirPlay, iPad, iPhone and iPod, are trademarks of Apple Inc., registered in the U.S. and other countries. iPad Air and iPad mini are trademarks of Apple Inc.

“Made for iPhone” means that an electronic accessory has been designed to connect specifically to iPhone and has been certified by the developer to meet Apple performance standards. Apple is not responsible for the operation of this device or its compliance with safety and regulatory standards. Please note that the use of this accessory with iPhone may affect wireless performance.

SiriusXM Internet Radio Service is available in the USA, PR or Canada. SiriusXM Internet Radio subscriptions are sold separately and are governed by the Sirius Terms and Conditions (see www.siriusxm.com). Be sure to read this agreement before you purchase your subscription. Sirius, XM and all related marks and logos are trademarks of Sirius XM Radio Inc. and its subsidiaries. All rights reserved.

This product includes some software components that are licensed under the General Public License (GPL). Source code for GPL components is available upon request. ©2016 Russound. All rights reserved. All trademarks are the property of their respective owners. Specifications are subject to change without notice.