



## Signature Headshells

### Cartridge mounting with SME standard connection

Aluminium MSRP 135 € (incl. VAT)

Carbon MSRP 105 € (incl. VAT)

Oak 105 € (incl. VAT)

- Fits all tonearms with SME mounting standard
- 1/2 inch cartridge mount
- 3 different headshell materials: Alu, Carbon, Beechwood
- High conductivity OFC headshell cables included
- High rigidity & low mass
- Low resonance construction
- Non magnetic
- Azimuth adjustment with screw on side
- Built-in fingerlift

Colour options:   

Weight Oak: 8g

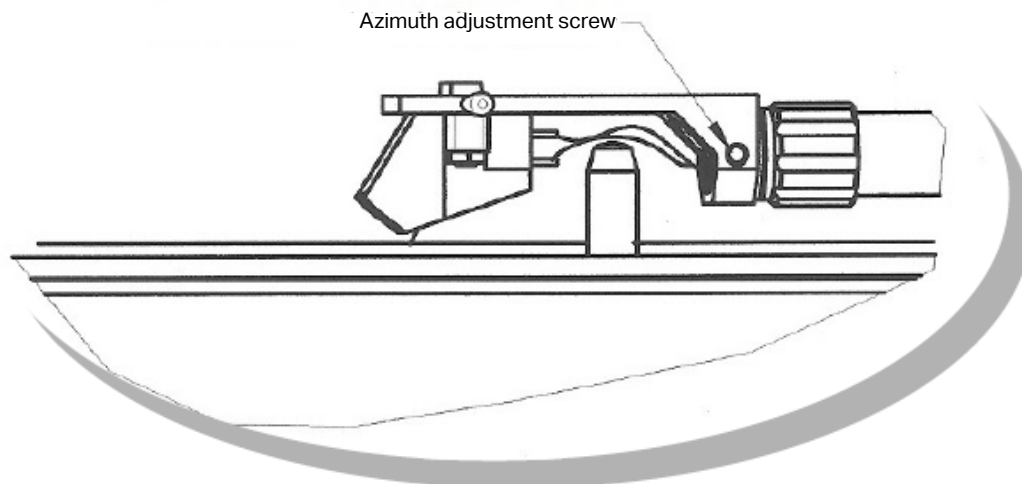
Weight Carbon: 10g

Weight Aluminium: 12g

Connection: Colour coded cables

## Adjusting the azimuth

Having a correct azimuth setting maximises playback quality. Using the mirror from alignment tool „Align it“ helps to find a correct setting - see following graphics:



If cartridge body is declined to left or right side, please loosen Azimuth screw and turn headshell carefully in the opposite direction. The correct position is found, when the cartridge body is 100 parallel to the mirror (record). After setting has been finished, tighten Azimuth screw and start playback!

